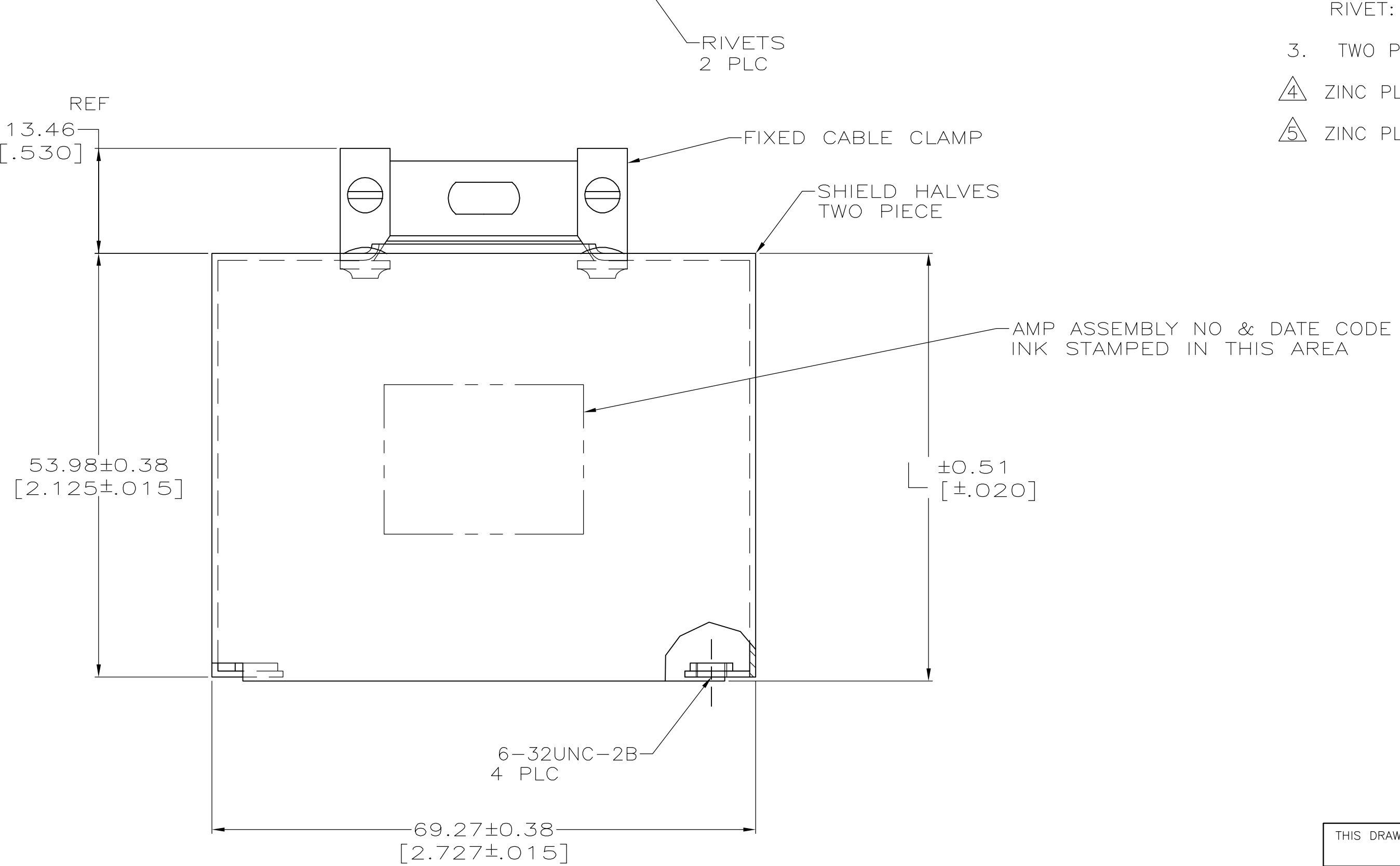
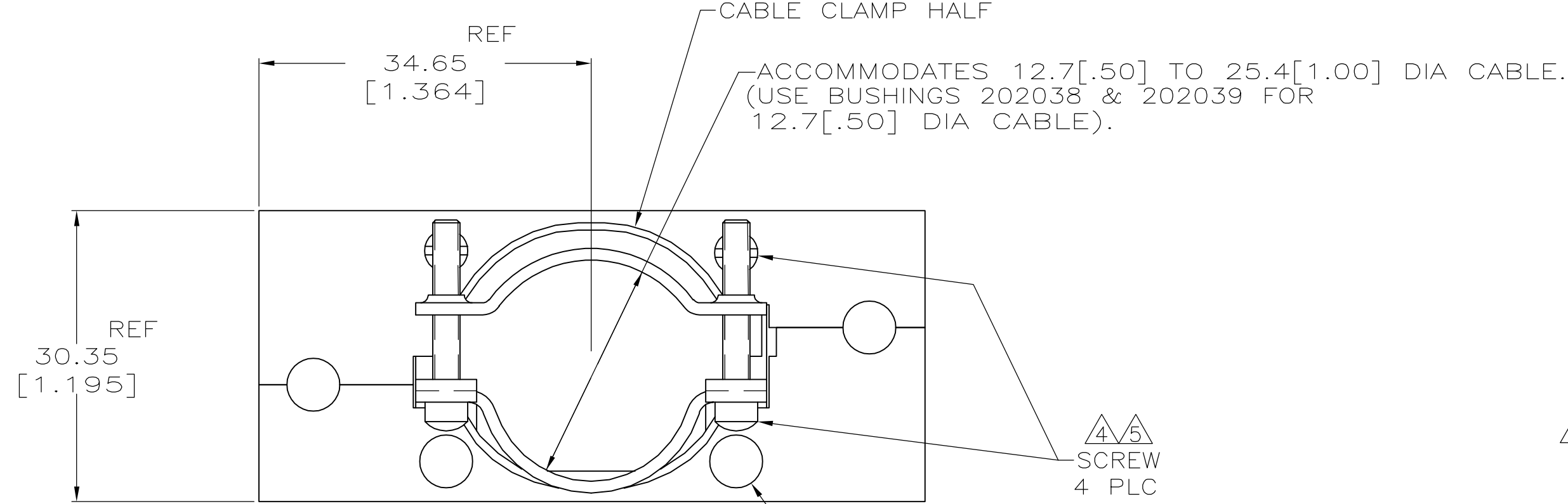


THIS DRAWING IS UNPUBLISHED. RELEASED FOR PUBLICATION
 © COPYRIGHT BY TYCO ELECTRONICS CORPORATION. ALL RIGHTS RESERVED.

LOC		DIST		REVISIONS			
P	LTR	DESCRIPTION		DATE	DWN	APVD	
FT	0	J1	REVISED PER ECO-07-000274	1/5/07	SS	GS	



- ① SHIELD HALF, TWO PIECE, CABLE CLAMP HALF, RIVET AND SCREW: CARBON STEEL. CABLE CLAMP FIXED: STAINLESS STEEL.
- ② SHIELD HALF, TWO PIECE AND CABLE CLAMP HALF: 5.08um [.000200] MIN NICKEL. SCREW: 3.81um [.000150] MIN ZINC. RIVET: NICKEL.
- 3. TWO PVC SLEEVES FOR INSULATION OF JACKSCREWS TO BE PACKAGED WITH ASSEMBLY.
- ④ ZINC PLATING WITH HEXAVALENT CHROMATE COATING.
- ⑤ ZINC PLATING WITHOUT HEXAVALENT CHROMATE COATING.

⑤	71.04 [2.797]	202713-7
⑤	53.98 [2.125]	202713-6
-	-	202713-5
-	-	202713-4
-	-	202713-3
④	71.04 [2.797]	202713-2
④	53.98 [2.125]	202713-1
SCREW FINISH	L	PART NUMBER

THIS DRAWING IS A CONTROLLED DOCUMENT.		DWN	C.OBERMAN	05/26/95	 Tyco Electronics Corporation Harrisburg, PA 17105-3608
DIMENSIONS: mm		CHK	R.STONE	6-1-95	
TOLERANCES UNLESS OTHERWISE SPECIFIED:		APVD	G.STEINHAUER	6-5-95	
0 PLC ± - 1 PLC ± - 2 PLC ± - 3 PLC ± - 4 PLC ± - ANGLES ± - FINISH		PRODUCT SPEC	NAME		
MATERIAL - ①		APPLICATION SPEC	TWO PIECE SHIELD ASSEMBLY, 75 POSITION, M SERIES		RESTRICTED TO
CUSTOMER DRAWING		WEIGHT	A2 00779 C=202713		SCALE 2:1 SHEET 1 of 1 REV J1